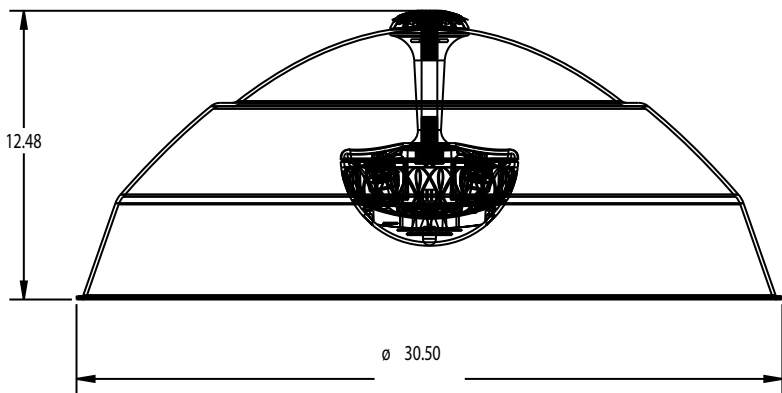
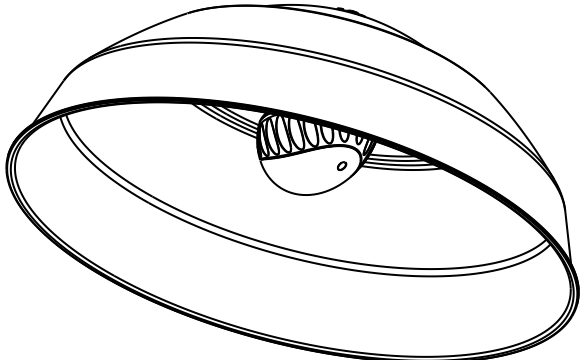


8 7 6 5 4 3 2 1

D  
C  
B  
A

D  
C  
B  
A



DIMENSIONS ARE IN MILLIMETERS UNLESS OTHERWISE SPECIFIED TOLERANCES: FRACTIONS ± 0.13mm DECIMALS ± 0.05 ZERO PLACE DECIMAL ± 0.25mm ONE PLACE DECIMAL ± 0.25mm	DATE	4/25/95	
	DESIGN	SM	
CHECKED COMMENTS		FIRECOP, UNIT #1000 USA 1-855-440-9525	
PROFESSIONAL SEAL AND CERTIFICATE THE INFORMATION CONTAINED IN THIS DRAWING IS THE PROPERTY OF SONS OF THE AMERICAN WEST, INC. REPRODUCTION IN ANY FORM OR BY ANY MEANS WITHOUT THE WRITTEN PERMISSION OF SONS OF THE AMERICAN WEST IS PROHIBITED.	PART NAME <b>FP6030</b>		REV
DO NOT SCALE DRAWING	SIZE <b>B</b>	PART NO.	SCALE 1:1
	WEIGHT:	SHEET 1 OF 1	

8 7 6 5 4 3 2 1