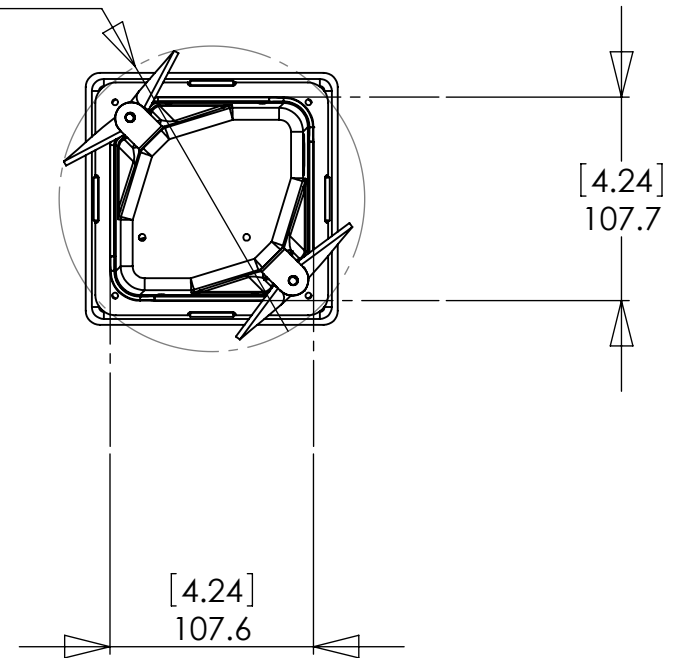
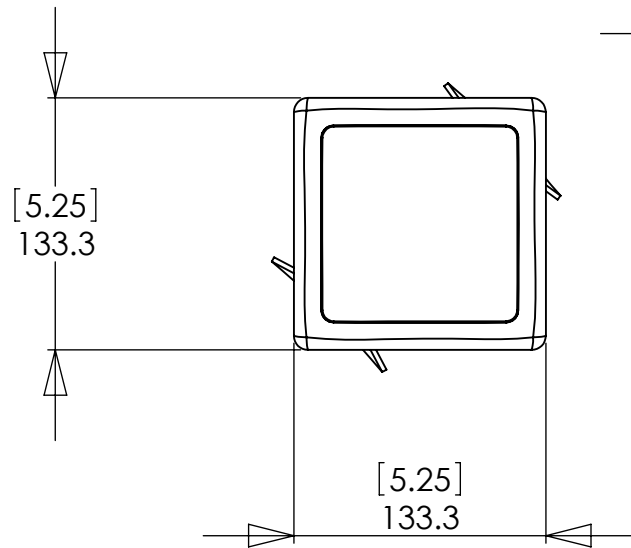


[6.37]
 $\phi 161.7$ Clearance to clamping
 Wings open position



PROPRIETARY AND CONFIDENTIAL

The information on this file is the sole property of SoundTube Entertainment. Any reproduction in part or whole without written permission from SoundTube Entertainment is strictly prohibited.